

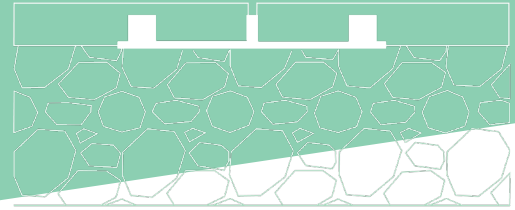
# Renoplast

# RENO SLIM

## RENOSLIM SPACER PADS:

RENOSLIM spacer pads are placed directly on suitable base such as:

- compacted fine aggregate
- sand/cement bedding
- sand
- improved soil



## KEY FEATURES

- elastic to follow base profile
- weather and UV resistant
- easy and quick installation

## TECHNICAL DATA

<b>BODY</b>	polypropylene
<b>WEIGHT</b>	approx. 12 g/pc.

## INSTALLATION TOOLS

You will need the following tools: folding ruler, spirit level, string line (cord or monofilament), knife, rubber mallet.

## BASE

Strong, even and stable. Bedding or aggregate should be compacted.

## INSTALLATION

RENOSLIM spacer pads are placed directly on base where corners between adjacent pavers meet. Pads may be additionally secured in place with metal or plastic pins driven into base through factory made perforations.

SEE PRODUCT →



## INSTALLATION GUIDELINES

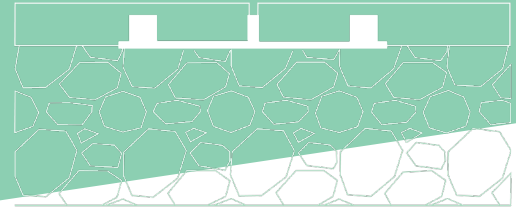
The manufacturer shall not be liable for any damage resulting from product misuse or using inadequate auxiliary materials or tools. All work must be in compliance with construction plans, product data sheet, relevant standards, good construction practice and safety requirements.

# Renoplast RENO SLIM

## RENOSLIM SPACER PADS:

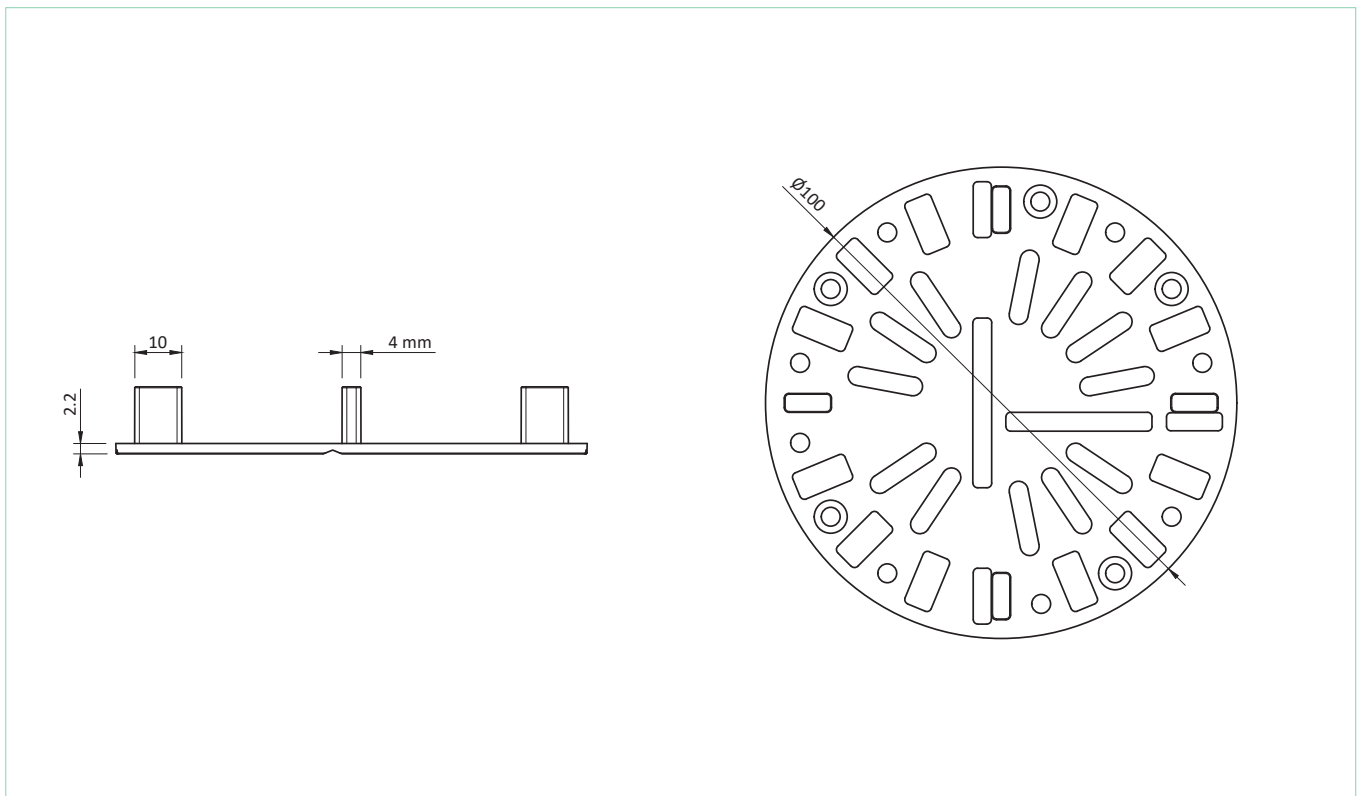
RENOSLIM spacer pads are placed directly on suitable base such as:

- compacted fine aggregate
- sand/cement bedding
- sand
- improved soil



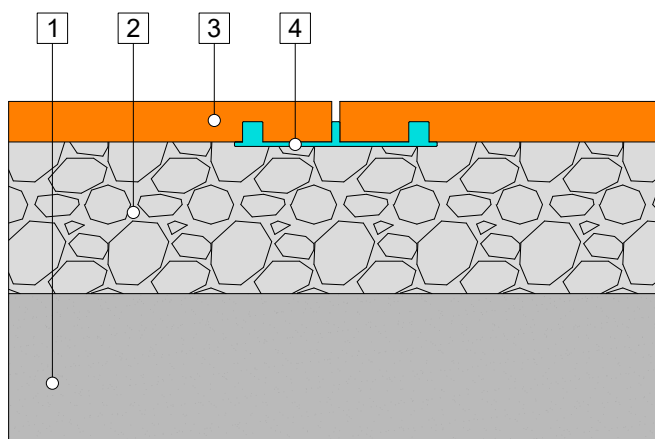
## DIMENSIONS

### CROSS-SECTIONS:



RENOSLIM

## INSTALLATION EXAMPLE



1. Soil
2. Base
3. Paver (e.g., porcelain, 20 mm thick)
4. RENOSLIM spacer pad

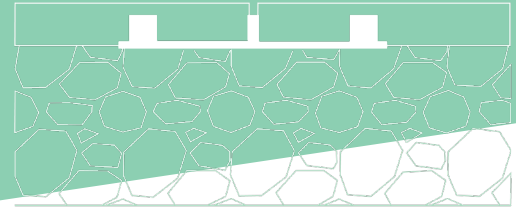
Renoplast

# RENO SLIM

## RENOSLIM SPACER PADS:

RENOSLIM spacer pads are placed directly on suitable base such as:

- compacted fine aggregate
- sand/cement bedding
- sand
- improved soil



www.renoplast.pl/en

phone: +48 697 635 580

RENOPLAST Sp. z o.o., Ul. Fabryczna 14, 34-300 Żywiec, POLAND



### Notes:

Edition: 7.05.2026. This product brochure supersedes all previous editions. It gives recommendations for standard application conditions only, and thus shall not be used in place of installation drawings. Suitability of our products for particular conditions should be verified by the contractor. The actual product specifications may vary slightly due to allowable process or tool dimension changes. Any materials used in combination with Renoplast products must be obtained from reputable sources. Our liability for any omissions or inaccuracies of the data given in this brochure is limited to gross disinformation and/or negligence.

Renoplast

RENOPLAST Sp. z o.o.  
phone: +48 697 635 580  
office@renoplast.pl  
www.renoplast.pl/en

